

| | |
|-----------|----------------------------------|
| 06 | ORGANE CADRES SUSPENSIONS |
| | FRAMES SUSPENSIONS COMPONENT |
| | ORGAN RAHMEN RADAUFHÄNGUNGEN |

| | |
|-----------|------------------------------------|
| 66 | S/ORGANE CADRES SUSPENSIONS |
| | FRAMES SUSP. SUB-COMPONENT |
| | UNTER-ORGAN RAHMEN RADAUFHÄNGUNG. |

| | |
|------------|------------------------------|
| 226 | CHASSIS P 220 A 6 × 2 |
| | CHASSIS P 220 A 6 × 2 |
| | FAHRGESTELL P 220 A 6 × 2 |

VALIDITE DE
LA VARIANTE
D'ORGANE

VARIANT
COMPONENT
APPLICABILITY

ABGELEITETE
GULTIGKEIT

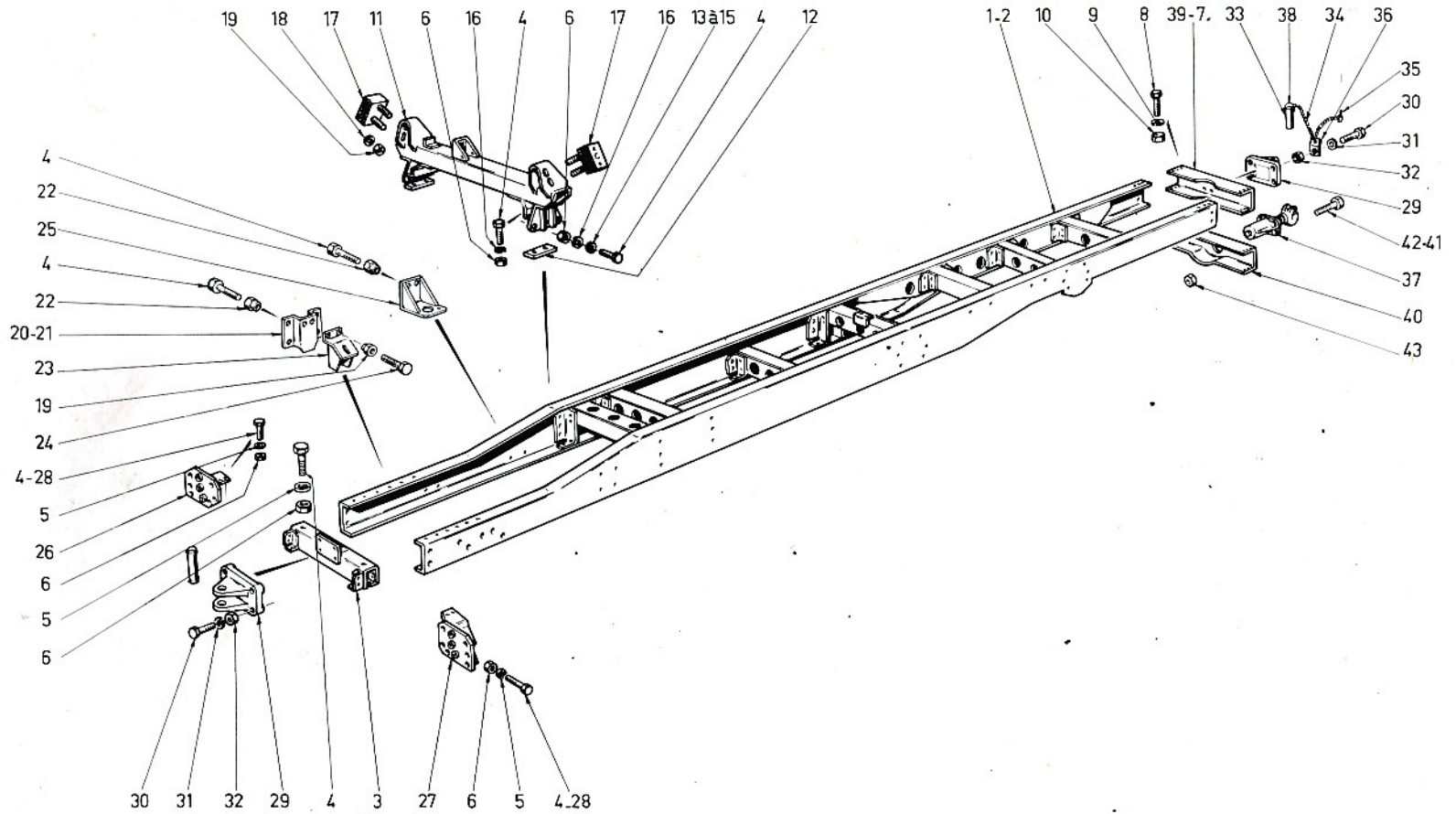
| TYPE DE CHASSIS CHASSIS TYPE FAHRGESTELL TYP | N° DE CHASSIS CHASSIS Nr. FAHRGESTELL Nr. |
|--|---|
| P 220 A 6x2 | 390.111 |

| | | | | |
|-----------|-----------|------------|-------------------------|------------------|
| 06 | 66 | 226 | N° EDITION CATALOGUE | N° DE PLANCHE |
| 1 | 2 | 3 | 4 | 5 |

| | | |
|--|----|----|
| Cadre de châssis..... <i>Chassis frame</i> <i>Fahrgestellrahmen</i> | 00 | 01 |
| Suspension avant..... <i>Front suspension</i> <i>Vorderradaufhängung</i> | 00 | 02 |
| Suspension arrière..... <i>Rear suspension</i> <i>Hinterradaufhängung</i> | 00 | 03 |
| Suspension arrière..... <i>Rear suspension</i> <i>Hinterradaufhängung</i> | 00 | 04 |
| Suspension moteur (L63S) <i>Engine housing (L63S)</i> <i>Motorenhalterung (L63S)</i> | 00 | 05 |

| | | | |
|---|-------------------|----------------------|--------------------|
| 1 | ORGANE | COMPONENT | ORGAN |
| 2 | SOUS-ORGANE | SUB-COMPONENT | UNTER-ORGAN |
| 3 | VARIANTE D'ORGANE | VARIANT COMPONENT | ABGELEITETE ORGAN |
| 4 | N° EDITION | CATAL EDITION NUMBER | NUMMER DER AUSGABE |
| 5 | N° PLANCHE | PLATE NUMBER | BILD Nr. |
| 6 | REPERE | MARKING | KENNZIFFER |

| | | | |
|----|----------------------|--------------------|---------------------|
| 7 | N° PIECE | PART N° | TEIL Nr. |
| 8 | DESIGNATION | DESIGNATION | BESCHRIFTUNG |
| 9 | QUANTITE | QUANTITY | MENGE |
| 10 | CODE OBSERVATIONS | CODE OF OBSERV. | ANMERKUNGEN KODE |
| 11 | DETAILS OBSERVATIONS | DETAILS OF OBSERV. | ANMERKUNGEN BEDEUT. |



| | | | | |
|-----------|-----------|------------|-----------|-----------|
| 06 | 66 | 226 | 00 | 01 |
| 1 | 2 | 3 | 4 | 5 |

| 6 | 7 | 8 | 9 | 10 |
|----|----------|----------------|----|----|
| 1 | 61675617 | CHASSIS 4M770 | 1 | |
| 2 | 61675620 | CHASSIS 5M750 | 1 | |
| 3 | 61667420 | TRAVERSE AV AS | 1 | |
| 4 | 61803190 | VIS | 35 | |
| 5 | 61815226 | RONDELLE | 23 | |
| 6 | 61801013 | ECROU | 29 | |
| 7 | 61236074 | TRAVERSE AR | 1 | |
| 8 | 61803230 | VIS | 12 | |
| 9 | 61815227 | RONDELLE | 12 | |
| 10 | 61801014 | ECROU | 12 | |
| 11 | 61672175 | TRAVERSE CABIN | 1 | |
| 12 | 61576163 | PLAQUE | 2 | |
| 13 | 61238487 | RONDELLE | 10 | 68 |
| 14 | 61238494 | RONDELLE | 10 | 68 |
| 15 | 61238495 | RONDELLE | 10 | 68 |
| 16 | 61815247 | RONDELLE | 10 | |
| 17 | 61235439 | SUPPORT ELASTI | 2 | |
| 18 | 61815040 | RONDELLE | 4 | |
| 19 | 61801354 | ECROU | 12 | |
| 20 | 61237171 | SUPPORT AV G | 1 | |
| 21 | 61237170 | SUPPORT AV D | 2 | |
| 22 | 61801355 | ECROU | 14 | |
| 23 | 61237172 | SUPPORT AV | 2 | |
| 24 | 61803149 | VIS | 8 | |
| 25 | 61232538 | SUPPORT AR | 2 | |

| 6 | 7 | 8 | 9 | 10 |
|----|----------|--------------|----|-----|
| 26 | 61235435 | SUPPORT D | 1 | |
| 27 | 61235434 | SUPPORT G | 1 | |
| 28 | 61803189 | VIS | 12 | |
| 29 | 61217007 | CHAPE AV AR | 2 | |
| 30 | 61803273 | VIS | 8 | |
| 31 | 61815249 | RONDELLE | 8 | |
| 32 | 61801015 | ECROU | 12 | |
| 33 | 61127168 | AXE | 1 | |
| 34 | 61128100 | CHAINE | 1 | |
| 35 | 61127450 | GOJPILLE | 1 | |
| 36 | 61128056 | PLAQUETTE | 1 | |
| 37 | 61291602 | CROCHET | 1 | |
| 38 | 61127449 | ANNEAJ | 1 | |
| 39 | 61670492 | TRAVERSE AR | 1 | 147 |
| 40 | 61670484 | TRAVERSE ASS | 1 | 147 |
| 41 | 61803274 | VIS TH | 4 | |
| 42 | 61803275 | VIS TH | 4 | |
| 43 | 61801068 | ECROU | 4 | |

| 10 | 11 |
|------|--|
| 0068 | Quantités : au choix <i>Quantities : as desired</i> <i>Mengen : nach Wahl</i> |
| 0147 | Avec crochet de remorque - 16 T <i>With trailer hook - 16 T</i> <i>Mit Anhängerkupplung - 16 T</i> |

| 10 | 11 |
|----|----|
| | |

| | | | | |
|-----------|-----------|------------|-----------|-----------|
| 06 | 66 | 226 | 00 | 02 |
| 1 | 2 | 3 | 4 | 5 |

DÉSIGNATION PLANCHE : SE RÉFÉRER AUX PAGES "SOMMAIRE"
 PLATE DESIGNATION : REFER TO FLYLEAF
 BILDBESCHRIFTUNG : SIEHE VORSATZBLÄTTER

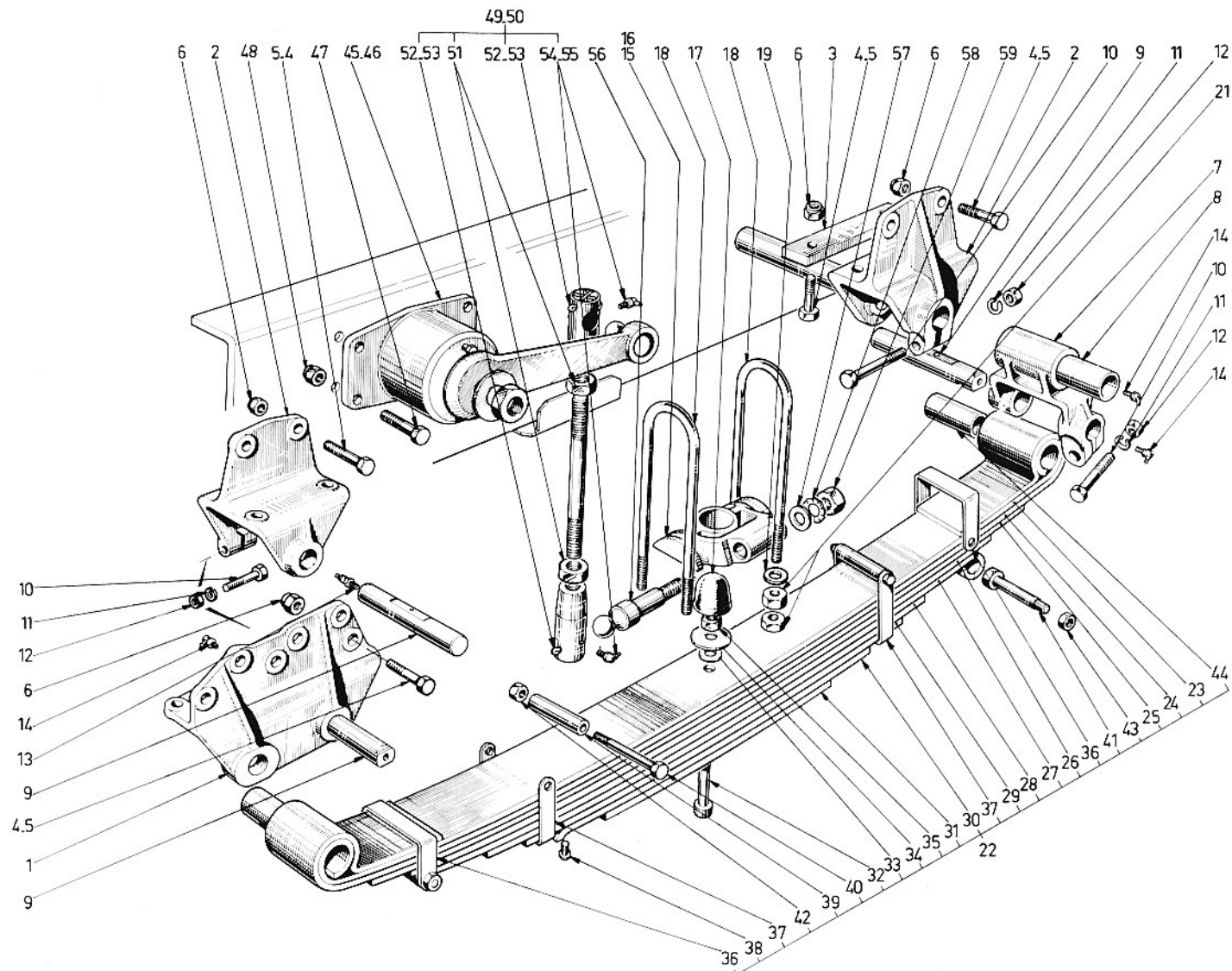


| 6 | 7 | 8 | 9 | 10 |
|----|----------|----------------|----|----|
| 1 | 61239278 | MAIN AV G | 1 | |
| 2 | 61239276 | MAIN AV AR D G | 3 | |
| 3 | 61234546 | CALE | 2 | |
| 4 | 61803272 | VIS TH | 16 | |
| 5 | 61803273 | VIS TH | 4 | |
| 6 | 61801357 | ECROU | 21 | |
| 7 | 61668635 | JUMELLE ASS | 2 | |
| 8 | 61231505 | BAGUE | 2 | |
| 9 | 61220446 | AXE RESSORT | 6 | |
| 10 | 61802696 | VIS TH | 6 | |
| 11 | 61815226 | RONDELLE W | 6 | |
| 12 | 61801013 | ECROU H | 6 | |
| 13 | 61836015 | GRAISSEUR 45 | 1 | |
| 14 | 61836035 | GRAISSEUR 90 | 5 | |
| 15 | 61217184 | SUPPORT G | 1 | |
| 16 | 61217186 | SUPPORT D | 1 | |
| 17 | 61239869 | MUTEE | 2 | |
| 18 | 61116500 | ETRIER | 4 | |
| 19 | 61815010 | RONDELLE | 8 | |
| 20 | 61400070 | ECROU H | 8 | |
| 21 | 61400072 | C ECROU | 8 | |
| 22 | 61668634 | RESSORT ASS | 2 | |
| 23 | 61573697 | LAME 1 | 2 | |
| 24 | 61239271 | LAME 2 | 2 | |
| 25 | 61239272 | LAME 3 | 2 | |

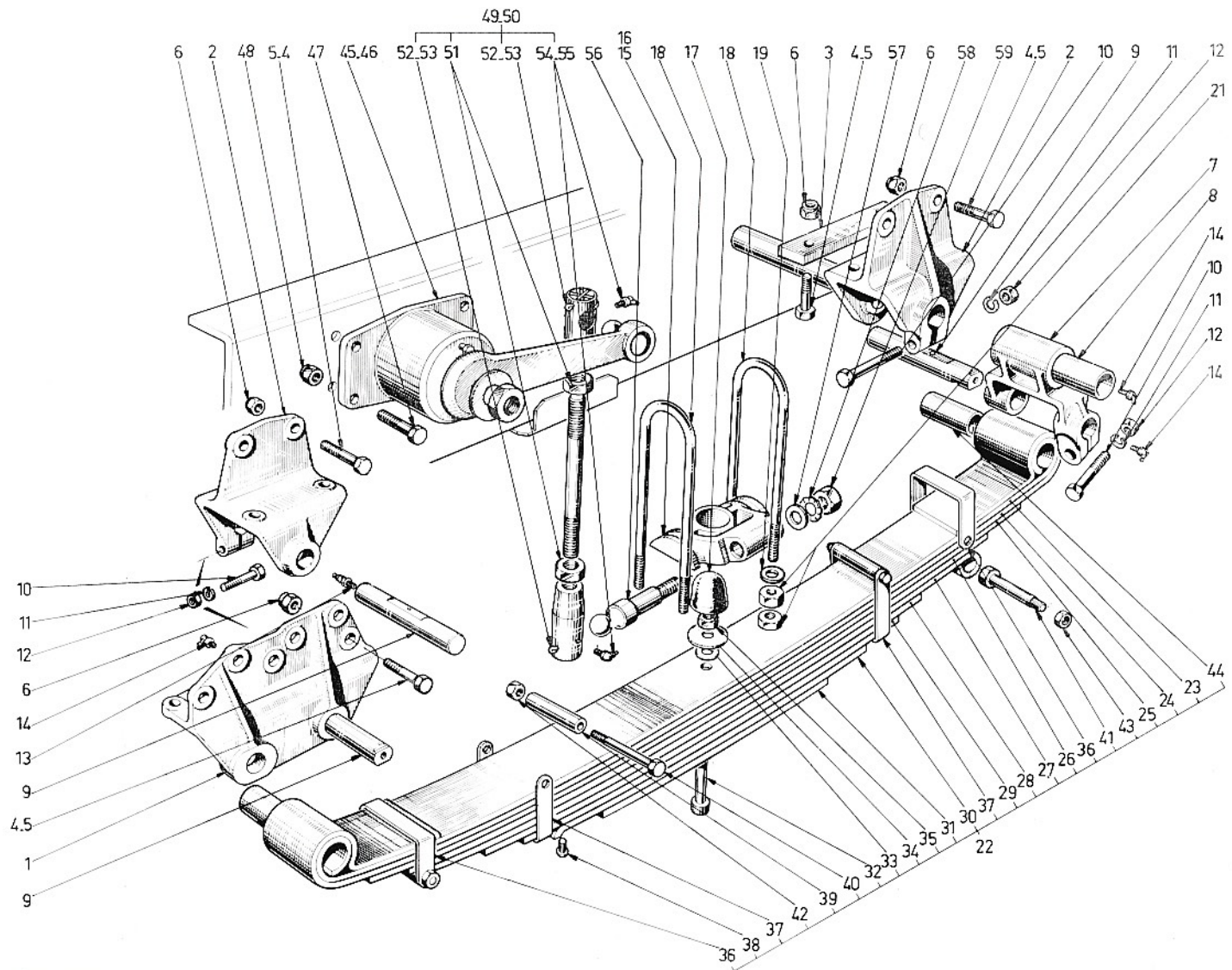
| 6 | 7 | 8 | 9 | 10 |
|----|----------|---------------|---|----|
| 26 | 61239273 | LAME 4 | 2 | |
| 27 | 61573698 | LAME 5 | 2 | |
| 28 | 61573699 | LAME 6 | 2 | |
| 29 | 61573700 | LAME 7 | 2 | |
| 30 | 61573701 | LAME 8 | 2 | |
| 31 | 61573702 | LAME 9 | 2 | |
| 32 | 61212754 | ETOQUIAJ | 2 | |
| 33 | 61115885 | RONDELLE | 2 | |
| 34 | 61115886 | RONDELLE | 2 | |
| 35 | 61425033 | ECROU | 2 | |
| 36 | 61223911 | BRIDE | 4 | |
| 37 | 61211827 | BRIDE | 4 | |
| 38 | 61408373 | RIVET | 4 | |
| 39 | 61211829 | ENTRETOISE | 4 | |
| 40 | 61575543 | AXE DE BRIDE | 4 | |
| 41 | 61803285 | AXE DE BRIDE | 4 | |
| 42 | 61575544 | ECROU H | 4 | |
| 43 | 61801015 | ECROU H | 4 | |
| 44 | 61231355 | BAGJE RESSORT | 4 | |
| 45 | 61663346 | AMORTISSEUR G | 1 | |
| 46 | 61663347 | AMORTISSEUR D | 1 | |
| 47 | 61803191 | VIS TH | 8 | |
| 48 | 61801355 | ECROU | 8 | |
| 49 | 61669063 | BIELLE G | 1 | |
| 50 | 61669064 | BIELLE D | 1 | |

| | |
|----|----|
| 10 | 11 |
|----|----|

| | |
|----|----|
| 10 | 11 |
|----|----|



| | | | | |
|-----------|-----------|------------|-----------|-----------|
| 06 | 66 | 226 | 00 | 02 |
| 1 | 2 | 3 | 4 | 5 |



| | | | | |
|-----------|-----------|------------|-----------|-----------|
| 06 | 66 | 226 | 00 | 02 |
| 1 | 2 | 3 | 4 | 5 |

06 66 226 00 03

DÉSIGNATION PLANCHE : SE RÉFÉRER AUX PAGES "SOMMAIRE"

PLATE DESIGNATION : REFER TO FLYLEAF

BILDBESCHRIFTUNG : SIEHE VORSATZBLÄTTER

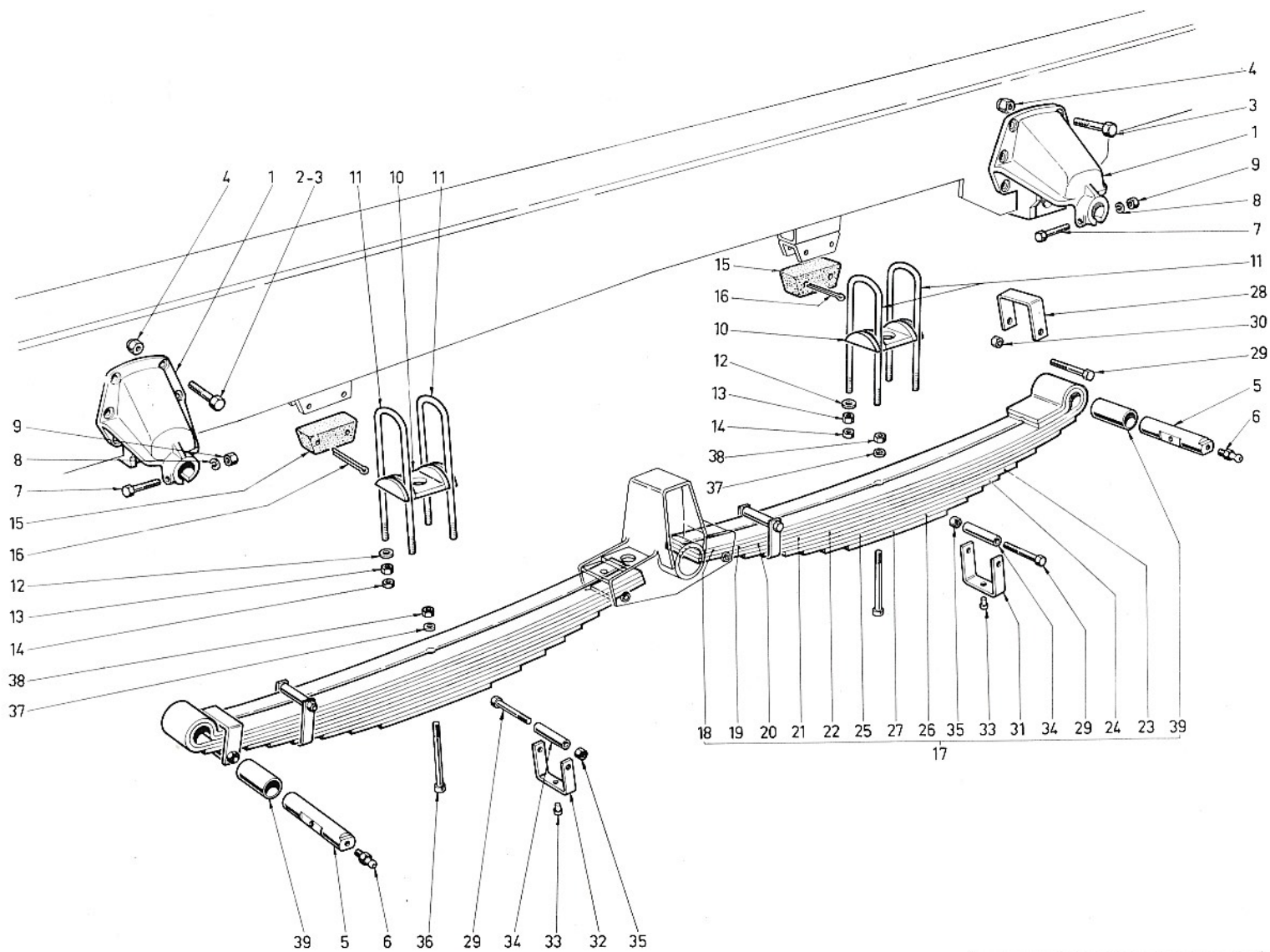
camions
UNIC
FIAT

| 6 | 7 | 8 | 9 | 10 |
|----|----------|----------------|----|----|
| 1 | 61234718 | MAIN AV AR RES | 4 | |
| 2 | 61803232 | VIS TH | 12 | |
| 3 | 61802231 | VIS TH | 16 | |
| 4 | 61801356 | ECROU | 28 | |
| 5 | 61212010 | AXE MAIN AV AR | 4 | |
| 6 | 61410502 | GRAISSEUR | 4 | |
| 7 | 61802699 | VIS TH | 4 | |
| 8 | 61815226 | RONDELLE W | 4 | |
| 9 | 61801013 | ECROU H | 4 | |
| 10 | 61574582 | SUPPORT ETRIER | 4 | |
| 11 | 61575727 | ETRIER | 8 | |
| 12 | 61400887 | RONDELLE | 16 | |
| 13 | 61226554 | ECROU | 16 | |
| 14 | 61226555 | C ECROU | 16 | |
| 15 | 61118063 | BUTEE | 4 | |
| 16 | 61819954 | GOUPILLE | 8 | |
| 17 | 61299056 | RESSORT BAGUE | 4 | |
| 18 | 61222868 | LAME 1 | 4 | |
| 19 | 61222869 | LAME 2 | 4 | |
| 20 | 61222870 | LAME 3 | 4 | |
| 21 | 61222871 | LAME 4 | 4 | |
| 22 | 61222872 | LAME 5 | 4 | |
| 23 | 61222873 | LAME 6 | 4 | |
| 24 | 61222874 | LAME 7 | 4 | |
| 25 | 61222875 | LAME 8 | 4 | |

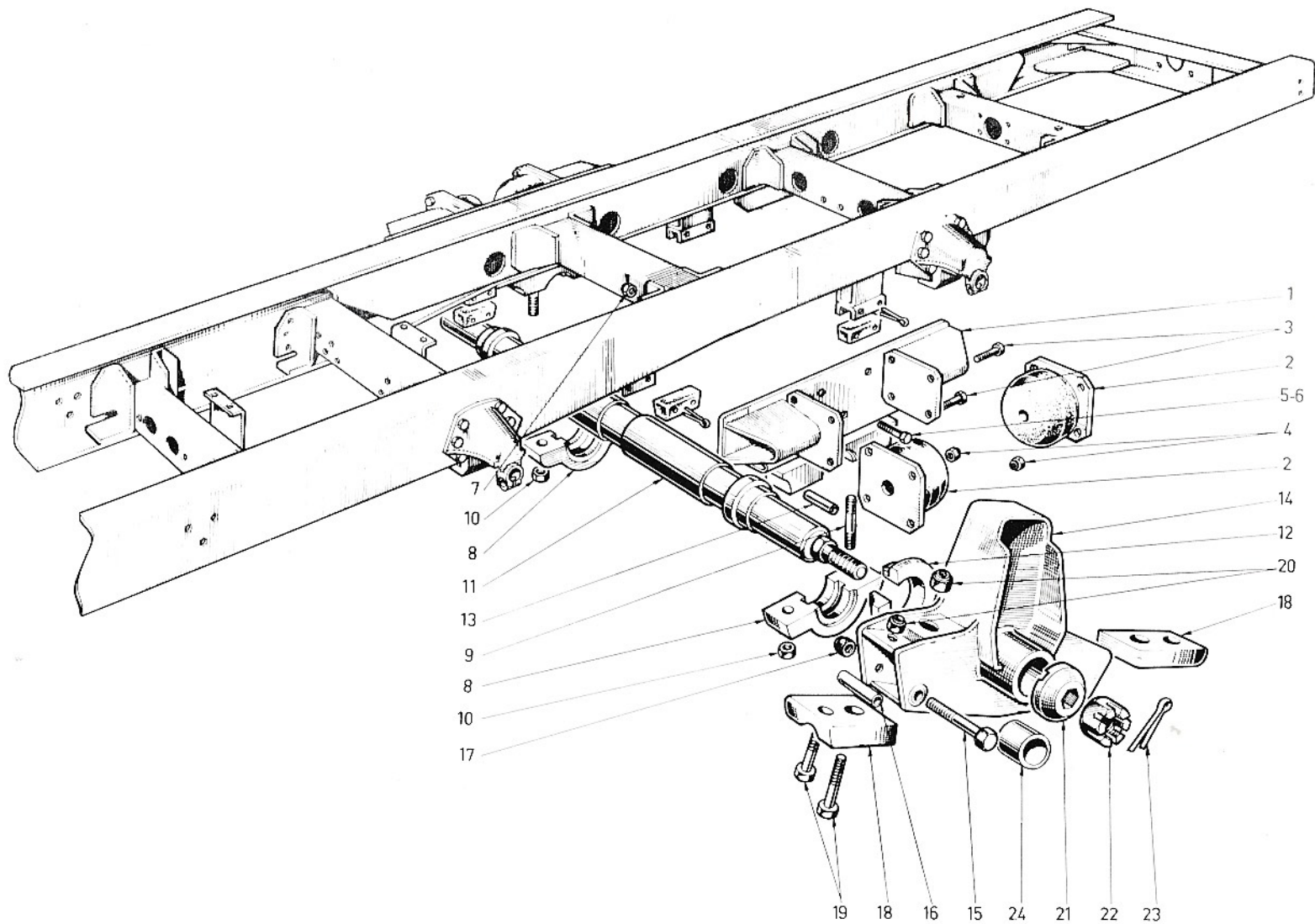
| 6 | 7 | 8 | 9 | 10 |
|----|----------|----------------|---|----|
| 26 | 61222876 | LAME 9 | 4 | |
| 27 | 61222877 | LAME 10 | 4 | |
| 28 | 61222912 | ETRIER AV | 4 | |
| 29 | 61417024 | AXE D ETRIER | 8 | |
| 30 | 61425035 | ECROU H | 4 | |
| 31 | 61211998 | ETRIER CENTRAL | 4 | |
| 32 | 61212000 | ETRIER AR | 4 | |
| 33 | 61408374 | RIVET | 8 | |
| 34 | 61211829 | ENTRETOISE | 8 | |
| 35 | 61425008 | ECROU H | 8 | |
| 36 | 61222879 | ETOQUIAJ | 4 | |
| 37 | 61116668 | RONDELLE | 4 | |
| 38 | 61400050 | ECROU H | 4 | |
| 39 | 61229943 | BAGUE | 4 | |

| 10 | 11 |
|----|----|
| | |

| 10 | 11 |
|----|----|
| | |



| | | | | |
|-----------|-----------|------------|-----------|-----------|
| 06 | 66 | 226 | 00 | 03 |
| 1 | 2 | 3 | 4 | 5 |



| | | | | |
|-----------|-----------|------------|-----------|-----------|
| 06 | 66 | 226 | 00 | 04 |
| 1 | 2 | 3 | 4 | 5 |

06 66 226 00 05

DÉSIGNATION PLANCHE : SE RÉFÉRER AUX PAGES "SOMMAIRE"

PLATE DESIGNATION : REFER TO FLYLEAF

BILDBESCHRIFTUNG : SIEHE VORSATZBLÄTTER

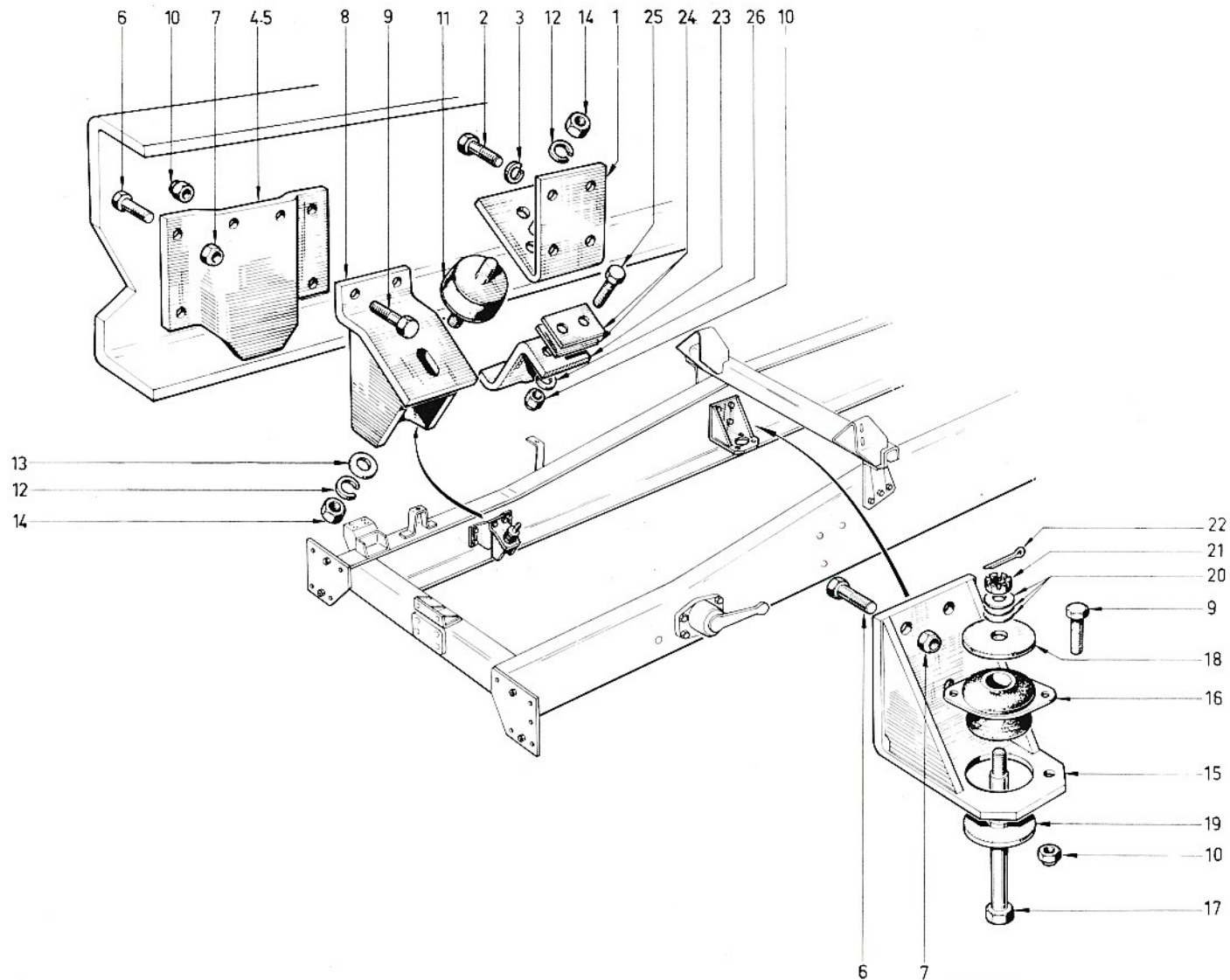
camions
UNIC
FIAT

| 6 | 7 | 8 | 9 | 10 |
|----|----------|----------------|----|----|
| 1 | 61227527 | SUPPORT | 1 | |
| 2 | 61803187 | VIS | 4 | |
| 3 | 61815226 | RONDELLE | 4 | |
| 4 | 61237171 | SUPPORT AV G | 1 | |
| 5 | 61237170 | SUPPORT AV D | 1 | |
| 6 | 61803190 | VIS TH | 14 | |
| 7 | 61801355 | ECROU | 14 | |
| 8 | 61237172 | SUPPORT AV | 2 | |
| 9 | 61803149 | VIS | 12 | |
| 10 | 61801354 | ECROU | 16 | |
| 11 | 61235241 | ELEMENT ELASTI | 2 | |
| 12 | 61815225 | RONDELLE | 4 | |
| 13 | 61815054 | RONDELLE | 2 | |
| 14 | 61225310 | ECROU | 4 | |
| 15 | 61232538 | SUPPORT AR | 2 | |
| 16 | 61235172 | ELEMENT ELASTI | 2 | |
| 17 | 61255017 | AXE | 2 | |
| 18 | 61233150 | RONDELLE | 2 | |
| 19 | 61230305 | RONDELLE | 2 | |
| 20 | 61815007 | RONDELLE | | 68 |
| 21 | 61520014 | ECROU | 2 | |
| 22 | 61819922 | GOUPILLE | 2 | |
| 23 | 61236462 | LIMITEUR | 2 | |
| 24 | 61231224 | CALE | | 68 |
| 25 | 61803150 | VIS TH | 4 | |

| 6 | 7 | 8 | 9 | 10 |
|----|----------|----------|---|----|
| 26 | 61815005 | RONDELLE | 4 | |

| 10 | 11 |
|------|---|
| 0068 | Quantités : au choix Quantities : as desired Mengen : nach Wahl |

| 10 | 11 |
|----|----|
| | |



| | | | | |
|-----------|-----------|------------|-----------|-----------|
| 06 | 66 | 226 | 00 | 05 |
| 1 | 2 | 3 | 4 | 5 |