

| | |
|-----------|------------------------------|
| 00 | ORGANE DE BASE MOTEUR |
| | ENGINE BASIC COMPONENT |
| | GRUNDORGAN MOTOR |

| | |
|-----------|---------------------------|
| 46 | ORGANE ÉCHAPPEMENT |
| | EXHAUST COMPONENT |
| | ORGAN AUSPUFF |

| | |
|------------|--|
| 203 | C.S.A. " Big-Job " moteur M 32S |
| | " Big-Job " SEMI-FORWARD CAB M 32S |
| | " Big-Job " KURZHAUBER M 32S |

| | | | | |
|-----------|-----------|------------|----------------------|---------------|
| 00 | 46 | 203 | n° édition catalogue | n° de planche |
| 1 | 2 | 3 | 4 | 5 |

Echappement
 Exhaust manifolds
 Auspuffkrümer



CATALOGUE RELEVE AU 28-5-71
 C.S.A. moteur n° 10.218
 "BIG-JOB" châssis n° 100.291

CATALOG ACCOUNTING AS OF 28-5-71
 "BIG-JOB" engine n° 10.218
 semi-forward chassis n° 100.291
 cab.

KATALOGAUSSUG ZUM 28-5-71
 "BIG-JOB" Motor Nr 10.218
 kurzhauber Chassis Nr 100.291

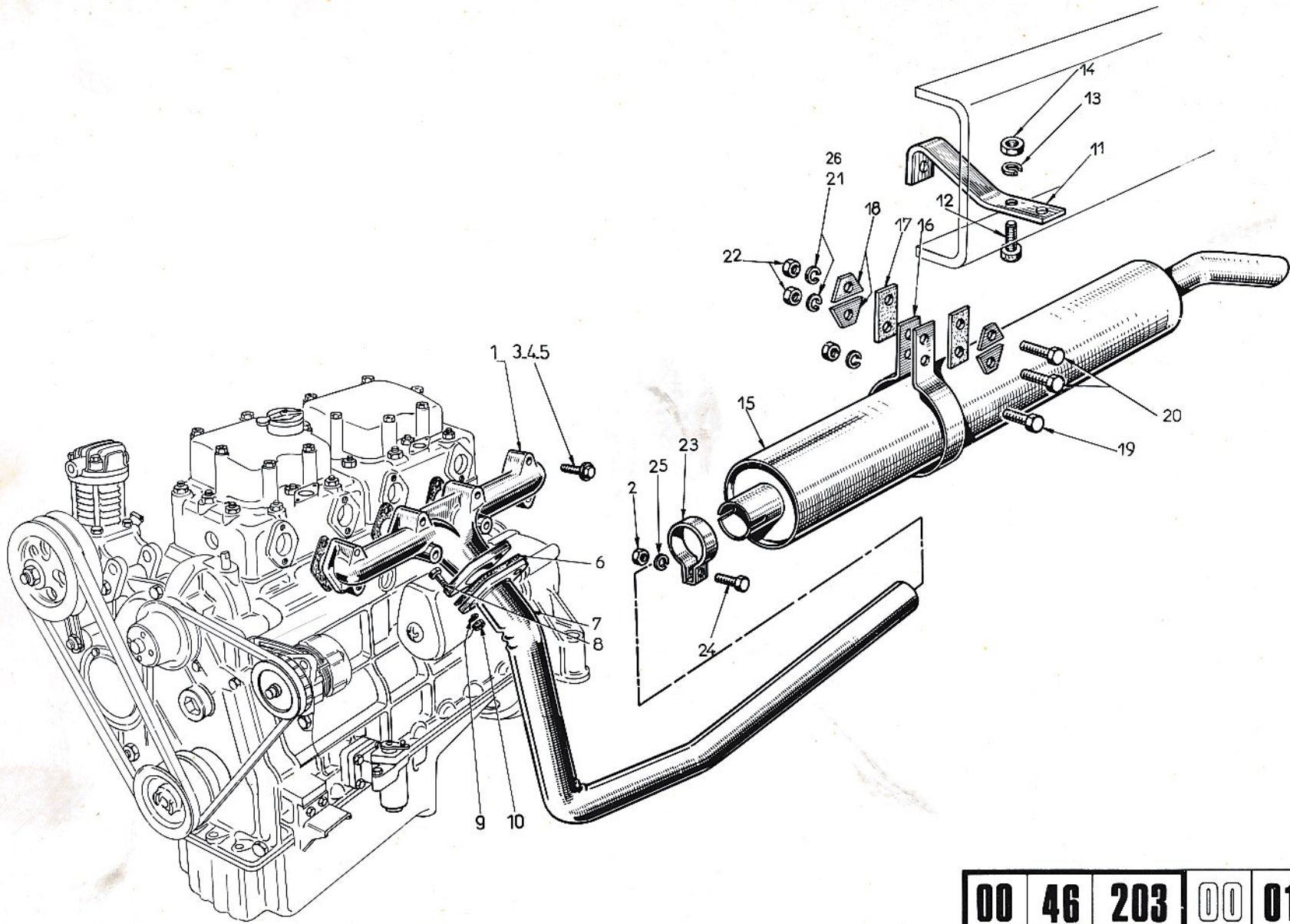
| | | | |
|---|----------------|-----------------------|--------------------|
| 1 | ORGANE DE BASE | BASIC COMPONENT | GRUND-ORGAN |
| 2 | ORGANE | COMPONENT | ORGAN |
| 3 | TYPE D'ORGANE | COMPONENT TYPE | ORGANTYP |
| 4 | N° ÉDITION | CATAL. EDITION NUMBER | NUMMER DER AUSGABE |
| 5 | N° PLANCHE | PLATE NUMBER | BILD Nr. |
| 6 | REPÈRE | MARKING | KENNZIFFER |

| | | | |
|----|----------------------|--------------------|---------------------|
| 7 | N° PIÈCE | PART N° | TEIL Nr. |
| 8 | DÉSIGNATION | DESIGNATION | BESCHRIFTUNG |
| 9 | QUANTITÉ | QUANTITY | MENGE |
| 10 | CODE OBSERVATIONS | CODE OF OBSERV. | ANMERKUNGEN KODE |
| 11 | DÉTAILS OBSERVATIONS | DETAILS OF OBSERV. | ANMERKUNGEN BEDEUT. |



IMPRIMÉ EN FRANCE
 IMP. GERBOS - PARIS

Reference 655.609
 Kennzahl
 EDITION 15/7/72
 AUSGABE



| | | | | |
|-----------|-----------|------------|-----------|-----------|
| 00 | 46 | 203 | 00 | 01 |
| 1 | 2 | 3 | 4 | 5 |

| 6 | 7 | 8 | 9 | 10 |
|----|----------|---------------|---|----|
| 1 | 61206903 | COLLECTEUR | 1 | |
| 2 | 61801011 | ECROU | 1 | |
| 3 | 61225427 | VIS LONG 57 | 4 | |
| 4 | 61225428 | VIS LONG 77 | 2 | |
| 5 | 61225430 | VIS LONG 97 | 2 | |
| 6 | 61207538 | JOINT | 1 | |
| 7 | 61657464 | TUBE ASS | 1 | |
| 8 | 61802651 | VIS | 4 | |
| 9 | 61815225 | RONDELLE | 4 | |
| 10 | 61801012 | ECROU | 4 | |
| 11 | 61228210 | SUPPORT | 2 | |
| 12 | 61802650 | VIS | 4 | |
| 13 | 61815225 | RONDELLE | 4 | |
| 14 | 61801012 | ECROU | 4 | |
| 15 | 61658012 | SILENCIEUX | 1 | |
| 16 | 61223055 | COLLIER | 2 | |
| 17 | 61223053 | SANGLE | 4 | |
| 18 | 61223054 | CONTRE PLAQUE | 8 | |
| 19 | 61802650 | VIS | 2 | |
| 20 | 61802651 | VIS | 4 | |
| 21 | 61815225 | RONDELLE | 2 | |
| 22 | 61801012 | ECROU | 6 | |
| 23 | 61224806 | COLLIER | 1 | |
| 24 | 61803110 | VIS | 1 | |
| 25 | 61815245 | RONDELLE | 1 | |

| 6 | 7 | 8 | 9 | 10 |
|----|----------|----------|---|----|
| 26 | 61815306 | RONDELLE | 4 | |

| 10 | 11 |
|----|----|
| | |

| 10 | 11 |
|----|----|
| | |